
A2

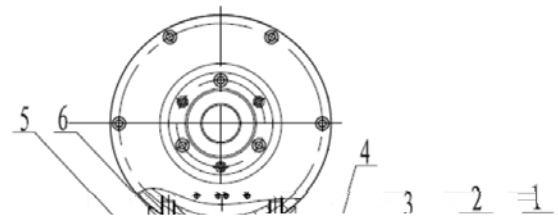
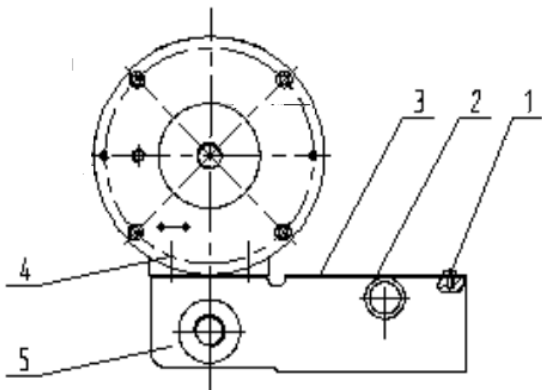
2019.03

-\$ <

.....	1
.....	2
.....	3
.....	5
.....	6
.....	8



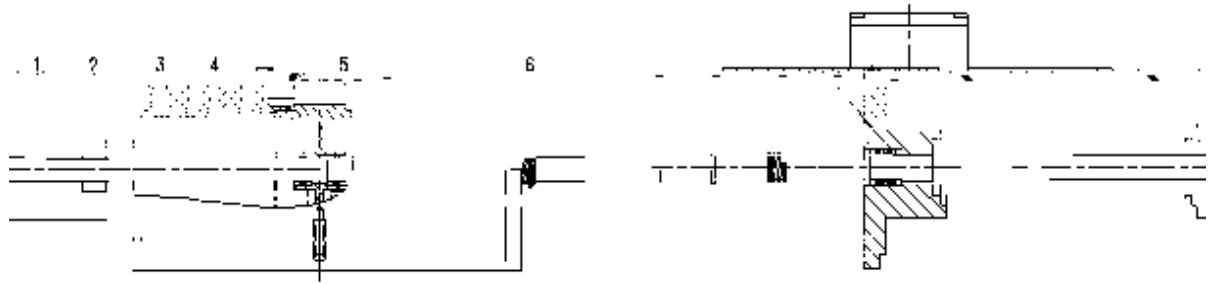
1.1	1	4		2		3	
						4	4
			5				
2							
1.2	1	4		2		3	
						4	4
			5			6	4
			5				



1.1

1.2

3



1.3 1 1.3 2 3 4

6 5 6

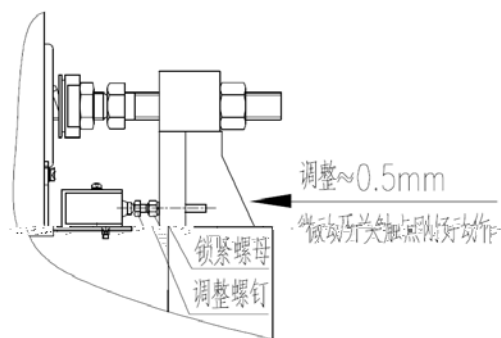
4

1

2

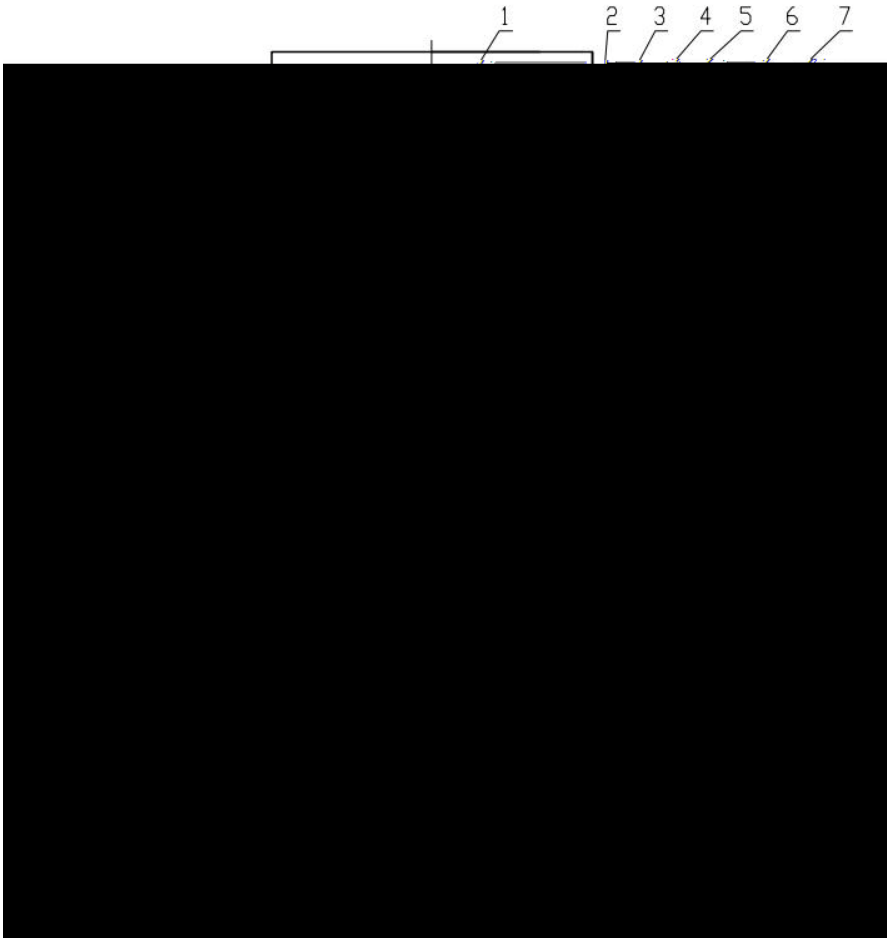
1.4

0.5mm



1.4

2



1

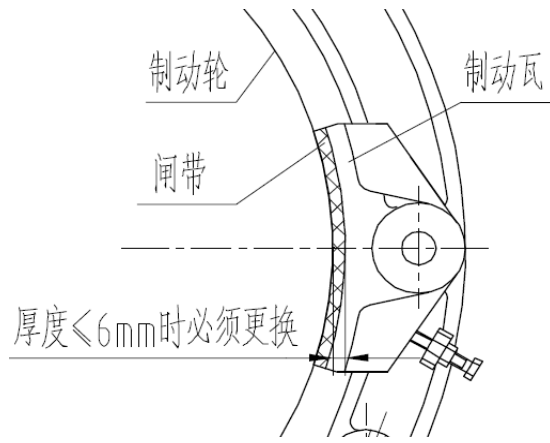
2

3

4

6mm

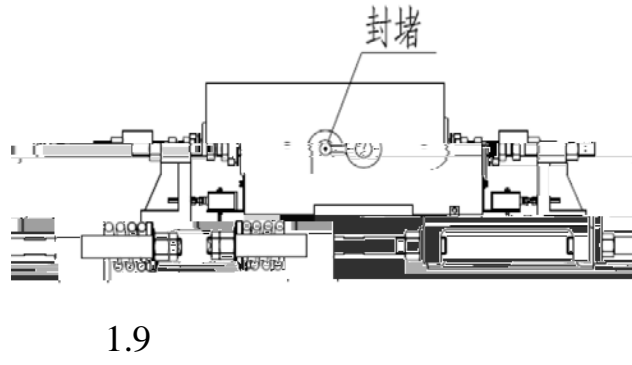
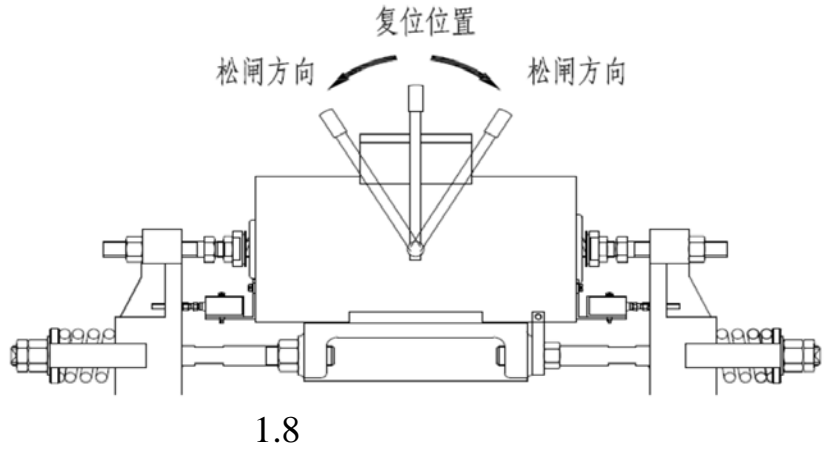
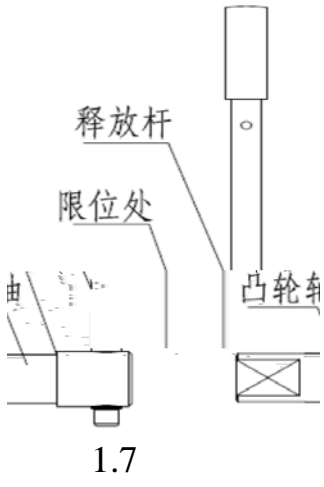
1.6



1.6

1

1.7



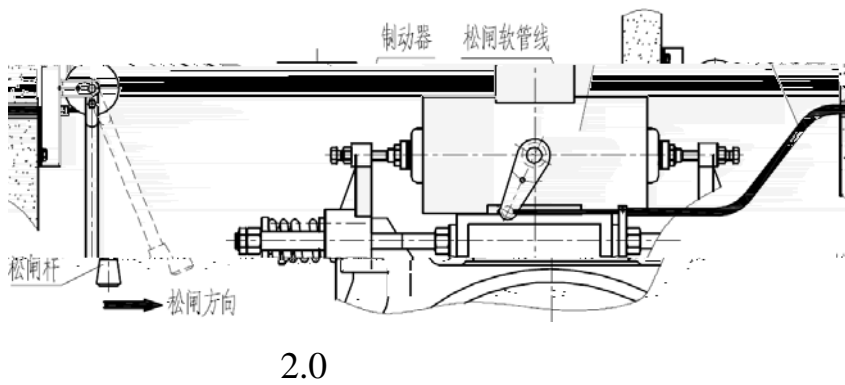
2

2.0

1

2

250mm



1

2

3

4

1.9

5

6

7